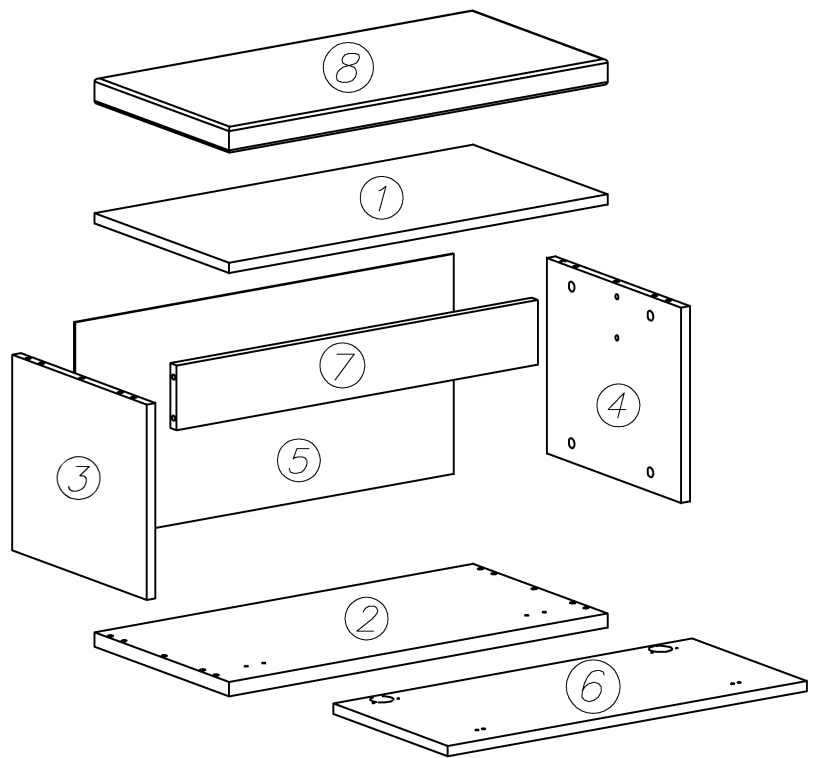
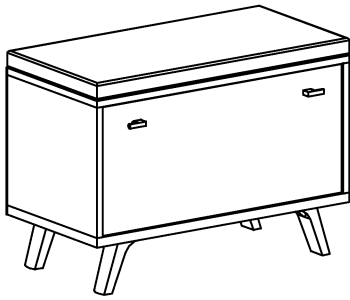
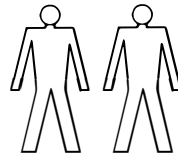
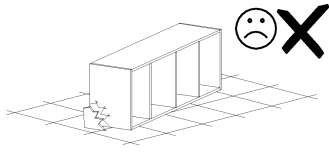
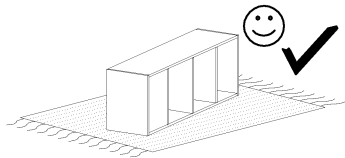
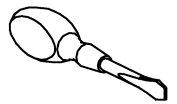
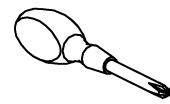
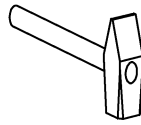


FALCO

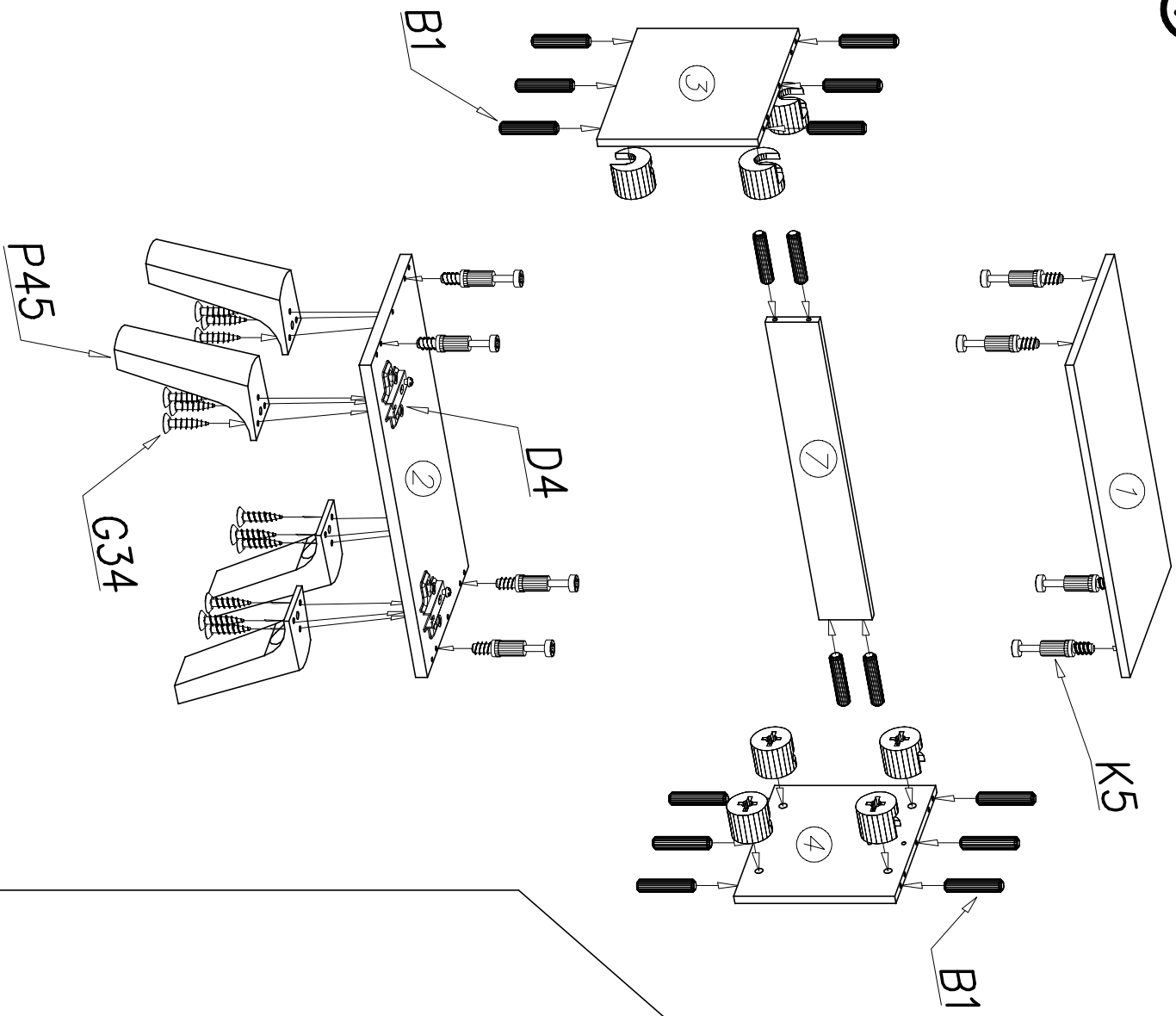


D4 PZ350D x2	C4 Z350D x2	G34 3,5x16 x20
--------------------	-------------------	----------------------

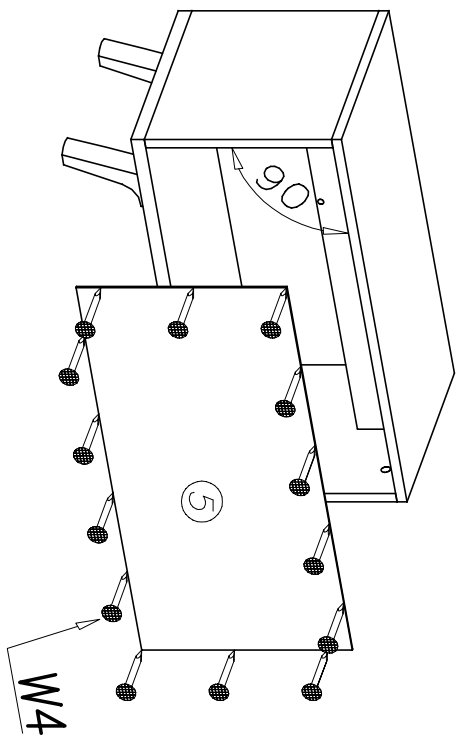
K1 ø15x12 x8	G8 4x30 x4	B1 ø8x35 x16	P45 120mm x4	L2 x1
--------------------	------------------	--------------------	--------------------	----------

K5 x8	E12 x2	W4 1,6x20 x25
----------	-----------	---------------------

1



2



3

